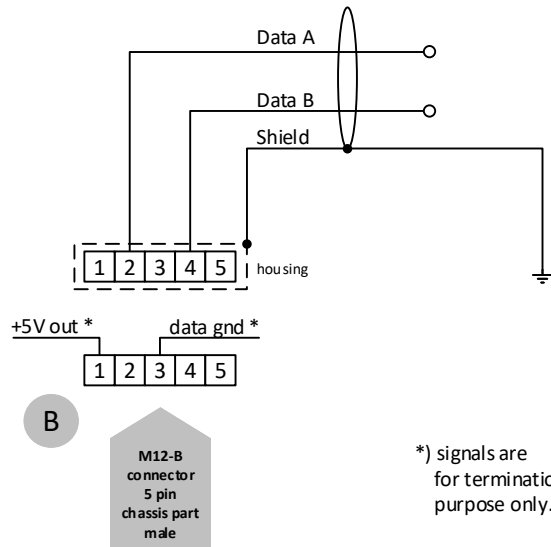
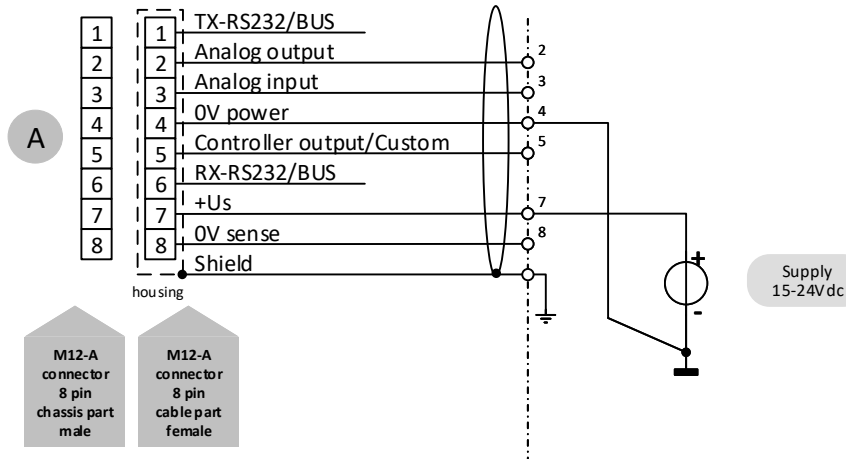
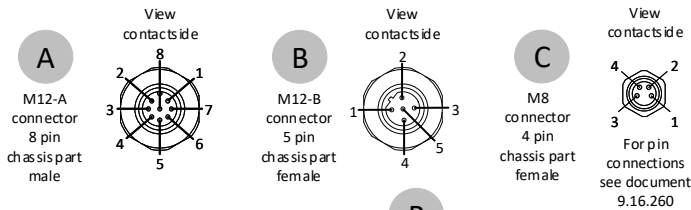
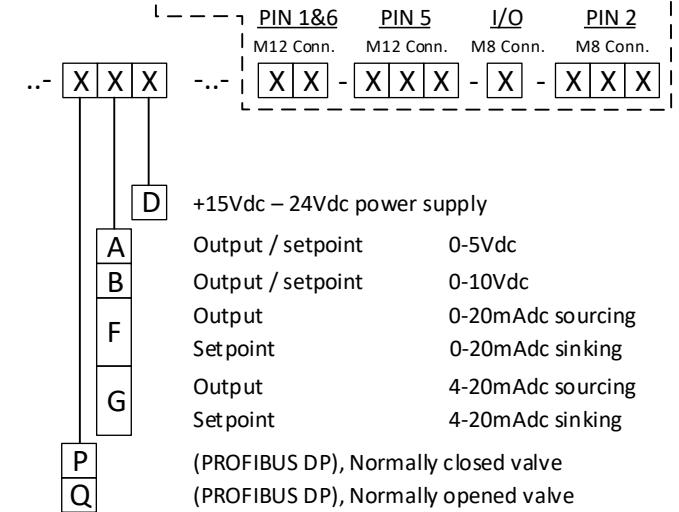


PROFIBUS DP connection



Model key explanation

For other explanation see document 9.16.260



Note:
When using a field bus or RS-232, it is not possible to operate the instrument by using the setpoint signal of the analog M12 connector without changing the value of parameter "control mode".
See instrument manual for more details.
Do not connect an external valve to instruments, set as meter.